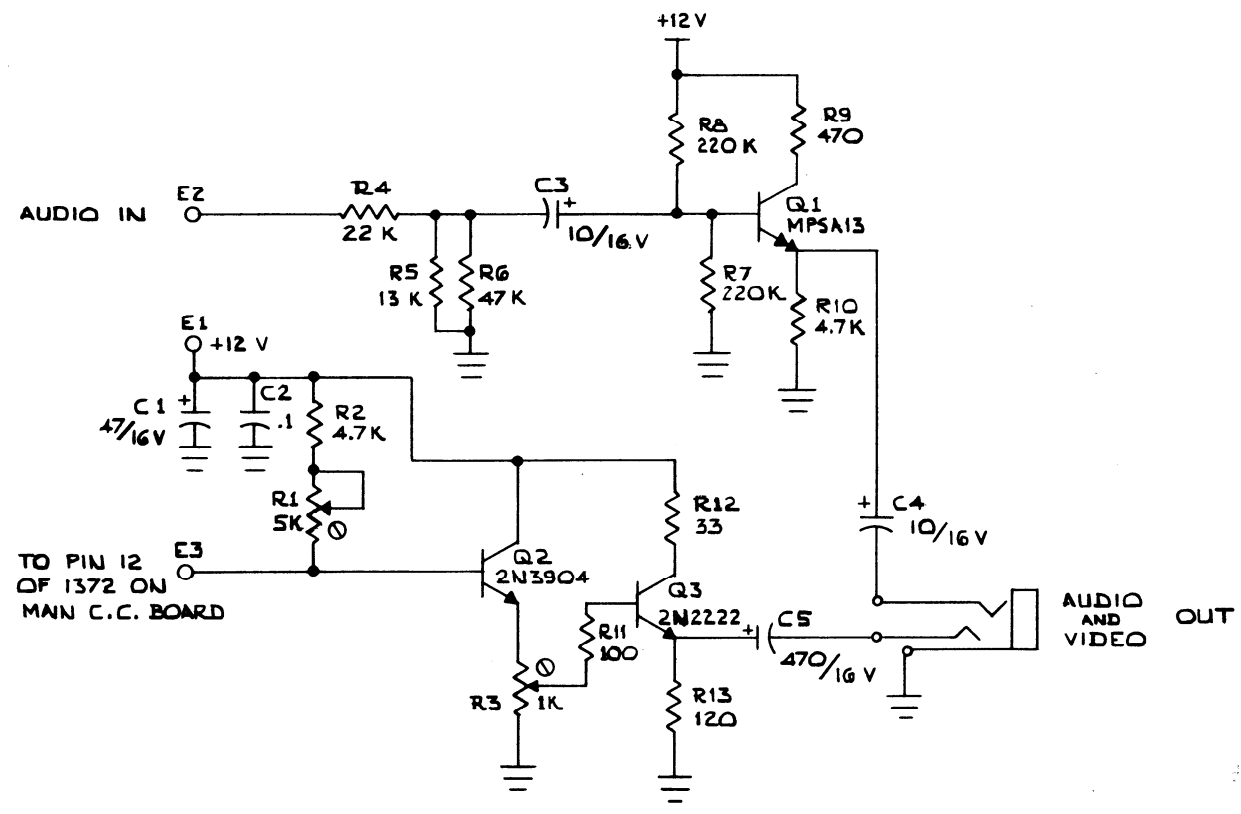


PROPRIETARY INFORMATION
 THE INFORMATION CONTAINED HEREIN IS PROPRIETARY AND IS EXCLUSIVE PROPERTY OF TANDY CORPORATION. NO REPRODUCTION OF ANY KIND MAY BE MADE WITHOUT THE EXPRESS WRITTEN AUTHORIZATION OF TANDY CORPORATION, 1000 TWO TANDY CENTER, FORT WORTH, TX 76102.

ZONE	LTR	REVISION DESCRIPTION	DATE	APPROVED
		RELEASED FOR PRODUCTION	2-20-84	SOM



REVISION CONTROL SUPPORT
 2-24-84 mb

RELEASED FOR PRODUCTION

2)- ALL CAPACITOR VALUES IN MICRO-FARADS
 1)- RESISTANCE VALUES IN OHMS, 1/4 WATT
NOTES (UNLESS OTHERWISE SPECIFIED):

MATERIAL	UNLESS OTHERWISE SPECIFIED	DRAFT	DATE	TITLE	
	TOLERANCES XX = ± 0.10 XXX = ± 0.05 ANGLES = 21°	ANGEL G.	1-31-84	SCHEMATIC - DIRECT VIDEO I COLOR COMPUTER	
		CHECK	S. Mosher		2-1-84
		DESIGN			
		APPRO	S. Mosher		2-20-84
FINISH		APPRO	W. Aswell	2-20-84	
	DIMENSIONS ARE IN INCHES AND APPLY AFTER PLATING	590		P.N. 8703314	
	DO NOT SCALE THIS DRAWING	USED ON		DWG NO C-8000223	
				SCALE SHEET OF NONE 1 1	

TANDY